

## Flexible Fast Charging System (Flexpole)



Technical Specifications	
Certification <sup>1</sup>	CE
Protection	IP 54 System IP 67 Battery
Mechanical Protection	IK 08
Dimension (H x W x D)	2260mm x 1340mm x 1100mm
Weight	2650 kg
Operating Temperature	-25°C to 50°C
Operating Temperature without DC Output	-25°C to 35°C
Power Derating	
Humidity	5% to 90%
Network Connections <sup>1</sup>	GSM/3G/LTE
Noise emission (at 5m distance)	≤ 60 dB
Output DC charging point #1	
DC output power <sup>2</sup>	Max. 150 kW (DPD <sup>3</sup> )
DC output current <sup>4</sup>	Max. 350 A @430V Max. 188 A @800V
DC output voltage	200 – 920VDC
DC output interface	CCS Type 2 Combo
DC Metering conform to MessEG	Yes (German variant)
DC Metering conform to MID	Yes (EU - non German variants)
Vehicle PLC communication	ISO 15118 <sup>5</sup> , DIN 70121
EMC emission <sup>1</sup>	IEC 61000-6-2, EN 55011

<b>Output DC charging point #2</b>	
DC output power <sup>2</sup>	Max. 150 kW (DPD <sup>3</sup> )
DC output current <sup>6</sup>	Max. 350 A @430V Max. 188 A @800V
DC output voltage	200 – 920VDC
DC output interface	CCS Type 2 Combo
DC Metering conform to MessEG	Yes (German variant)
DC Metering conform to MID	Yes (EU - non German variants)
Vehicle PLC communication	ISO 15118 <sup>5</sup> , DIN 70121
EMC emission <sup>1</sup>	IEC 61000-6-2, EN 55011
<b>Input</b>	
Grid connection	400 V, 50 Hz TN-C-S; 3P + N + PE 16 / 32 / 63A 2 low voltage safety lines (Impact)
Electrical protection	Overvoltage category IV (DIN 60664-1)
RCD protection	Yes
Remote Emergency Stop Function (optional):	Yes (according to APEA – Electric Vehicle Charging Installations at Filling Stations)
Power factor	> 0.95
Efficiency	≤ 0°C: ≥ 75% > 0°C to +30°C: ≥80% > +30°C: ≥75%
<b>Battery</b>	
Internal battery rated capacity	193.5kWh
Maximum usable capacity <sup>7</sup>	160 kWh
SoC <sub>min.</sub> /SoC <sub>max.</sub>	5%/95%
Max. recharge power <sup>2</sup>	2x20kW to battery 1x40kW (DPD <sup>3</sup> ) to vehicle
<b>User Interface</b>	
HMI	10" Touch Screen 43" Advertising Screen Status LEDs Charge Stop button
Authorization / Payment	RFID Mifare (IEC 14443 A/B) Compliant to PCI-PTS 3.x, PCI-PTS 5.x NFC / Credit Card (IEC 18092) Supported payment acquirers: PayOne
<b>Operator Interface</b>	
OCPP	OCPP 1.6-J Improved security for OCPP 1.6-J, edition 2

Dimensions:

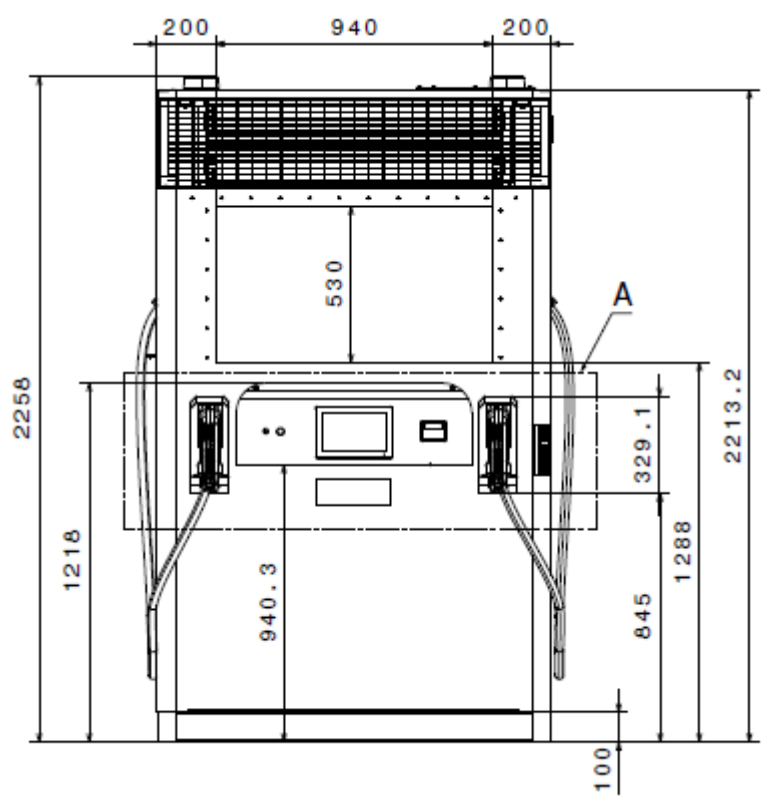


Figure: front view

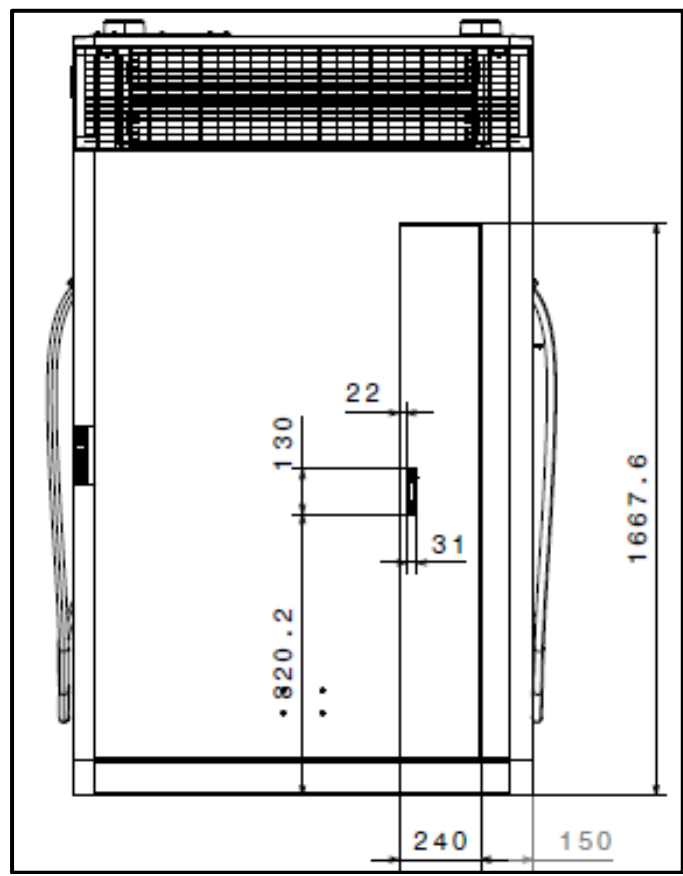


Figure: rear view

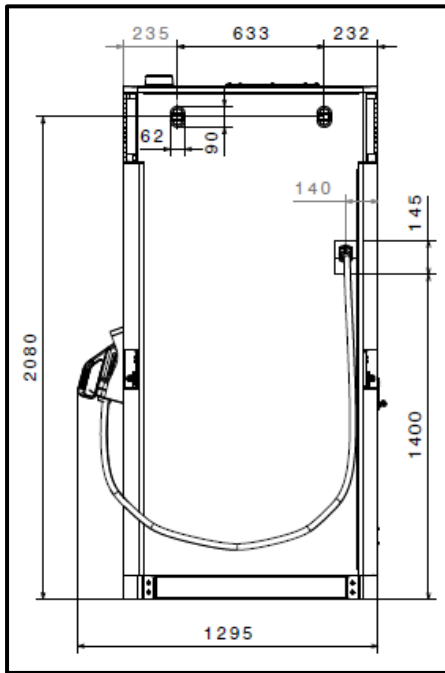


Figure: right view

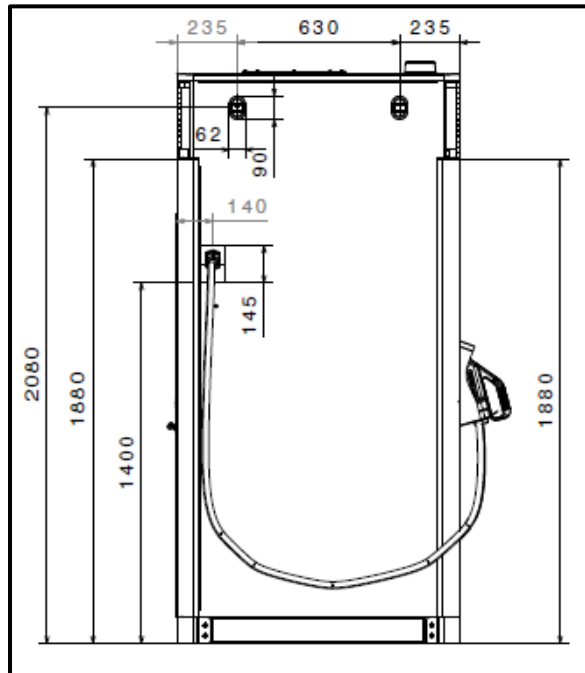


Figure: left view

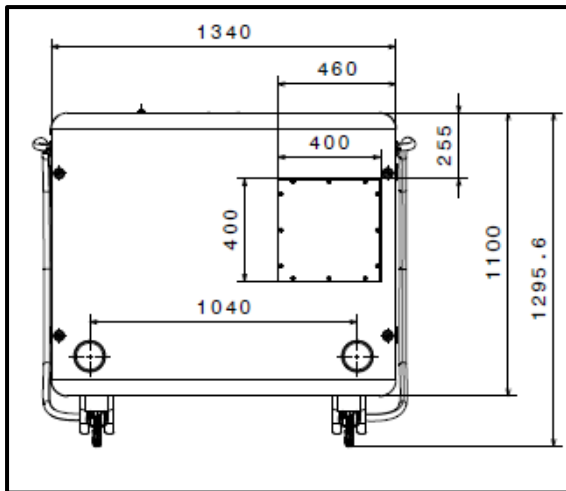


Figure: top view

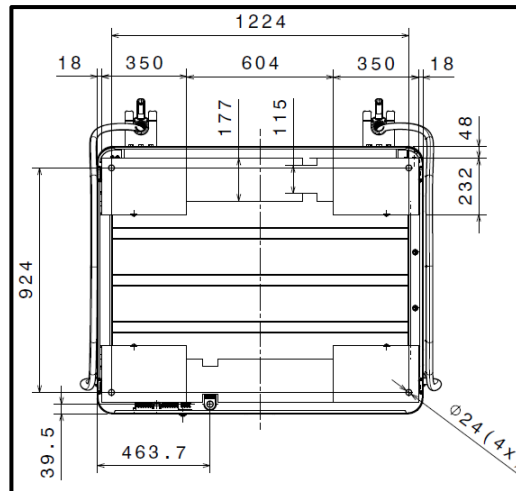


Figure: bottom view

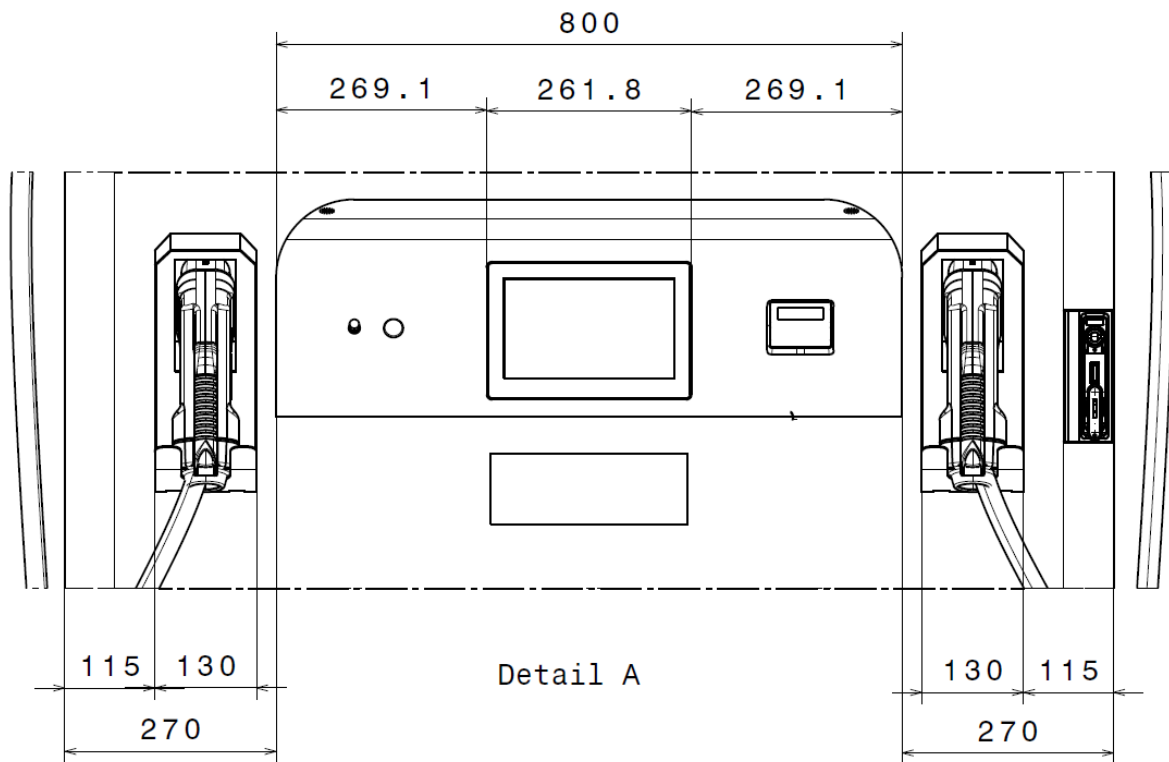


Figure: front detail view

<sup>1</sup> See CE declaration of conformity document

<sup>2</sup> When connected to grid with 400V/63A, max System Output Power 250 kW

<sup>3</sup> Dynamic Power Distribution

<sup>4</sup> With temperature-controlled 400A rated high power CCS cable

<sup>5</sup> PnC not available

<sup>6</sup> With temperature-controlled 400A rated high power CCS cable

<sup>7</sup> See warranty agreement